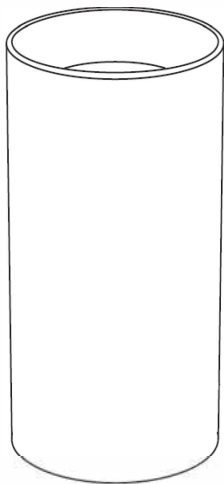


BAGNODESIGN

EXPERTLY CRAFTED BATHROOMS

General Installation Guide



FREESTANDING WASH BASIN

NOTE: for illustrative purposes only a Ø450mm 1-piece wash basin is shown, please follow the same procedure to install the other products.

A member of **SANIPEXGROUP**

Please leave these instructions with the customer

IMPORTANT PLEASE READ

Remove all packaging and check the product for missing parts or damage before starting installation.

Any alterations made to this product and fittings may infringe water regulations and invalidate the guarantee.

The Installation must comply with all Local/National Water Supply Authority Regulations/Byelaws and Building and Plumbing Regulations.

We strongly recommend that your product be installed by a reputable qualified trade's person.

General Installation:

Please note this product can require 2 or more persons to lift and manoeuvre into position.

To the installer: Please read and follow this instruction carefully, as the guarantee is only valid if the product is installed as directed.

Don't rush, read the instructions first and run through them before you begin. Keep fittings together to avoid loss. Do not over tighten screws or bolts.

If the unit is covered with polyethylene protective film, do not remove until installation is complete to grant maximum protection. However, remove film where any two surfaces will be in permanent contact.

Verify that all dimensions on the plan are the same as the ones of the product.

Please leave this installation manual with the end user once the product has been installed.

Product Aftercare:

We recommend cleaning with a soft damp cloth and mild soap solution.

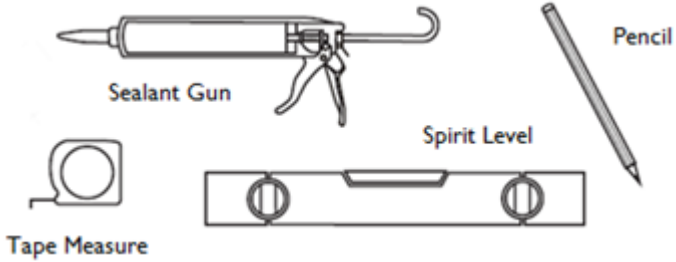
Do not use cream cleaners or cleaners containing bleach.

Do not scrub or scour.

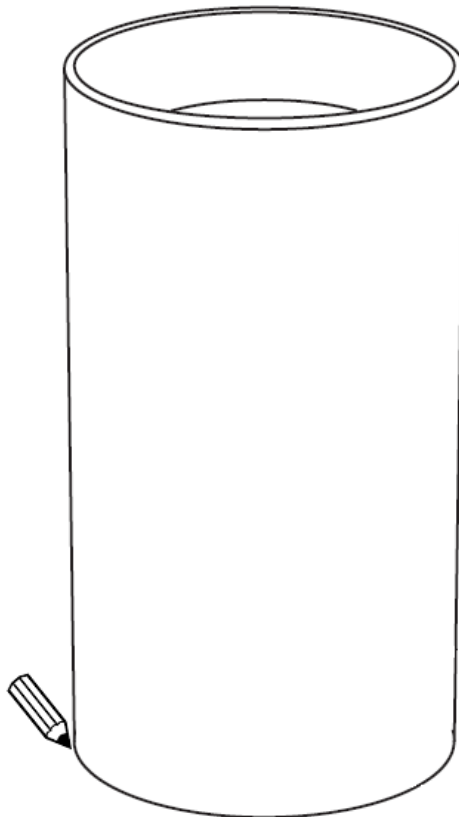
Do not use abrasive cleaning agents.

Do not use solvent based cleaners.

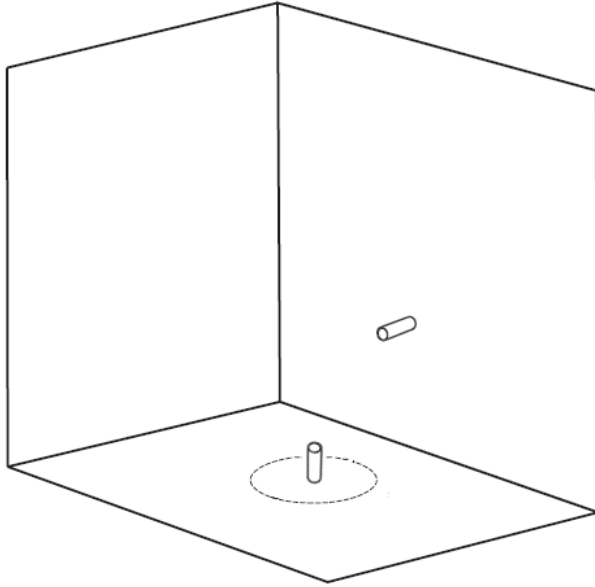
TOOLS REQUIRED (Not supplied)



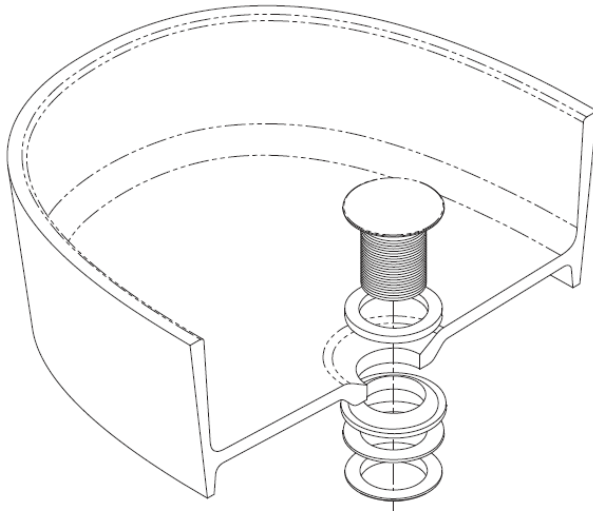
NOTE: Before installing the WC, place a protective sheet in the installation area to prevent any possible damage.



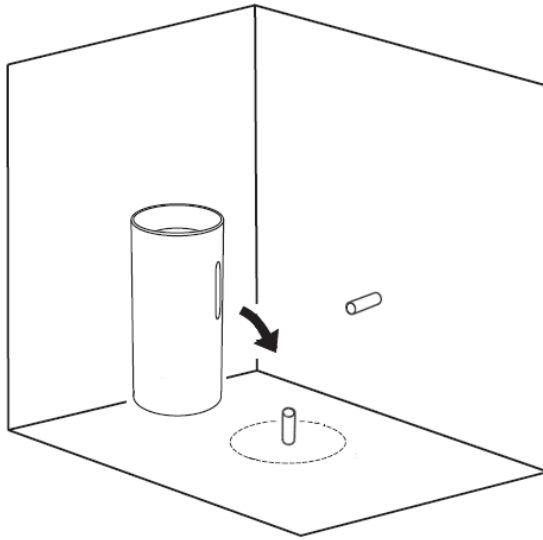
Place the freestanding washing in the desired position and mark around the perimeter.



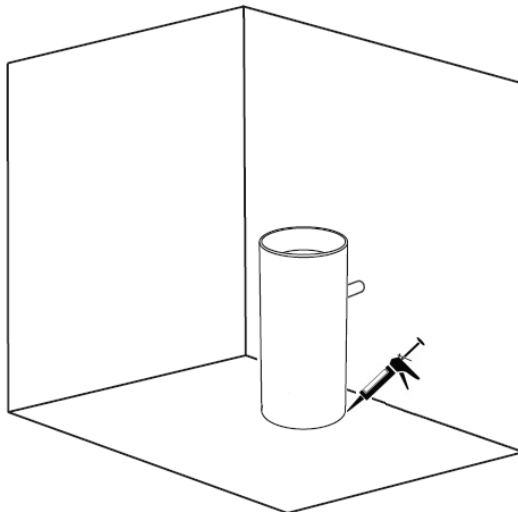
Remove the basin, install the waste pipe either at the height of the entrance horizontally, or within the perimeter of the basin vertically.



Install the waste into the basin and connect the bottle trap. If required use a flexible waste pipe from the bottle trap to the wall outlet.



Re-position the basin into the fixing area, connect the waste. Before putting the basin into the final position, pour some water into the basin to ensure there are no leaks from the waste.



Finalise the position of the basin and run a small bead of silicon around the perimeter base.

INSTALLATION COMPLETE!!!

BAGNODESIGN

EXPERTLY CRAFTED BATHROOMS

Oakwell Way, Birstall
Leeds, England WF9 17LU

A member of SANIPEXGROUP